



(OPEN TYPE)

Excellent Proven Performance and
Assurance of Superb Quality

KUKEN

COOLING TOWER

SERIES 01



ISO-9001 CERTIFIED
MANUFACTURING FACTORY



ISO-14001 CERTIFIED
MANUFACTURING FACTORY



MEMBER OF JCI



MEMBER OF CTI



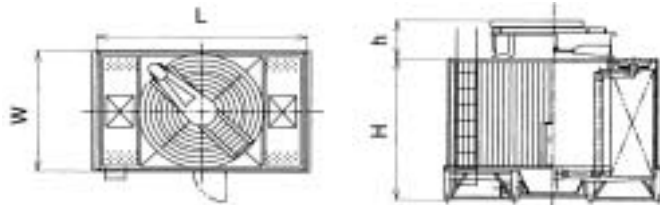
KUKEN KOGYO CO., LTD.

LOW NOISE TYPE

SKB-Ro /R

(Ro : External piping, R : Internal piping)

MODEL		FLOW RATE (m ³ /h)					DIMENSION (mm)				WEIGHT	
	IN()	37.0	37.5	38.0	39.0	35.0	length L	width W	height H	Fan height h	Net. kg	Ope. kg
	OUT()	32.0				29.5						
	W.B()	27.0				27						
SKB-	60	46.8	43.7	41.1	37.0	20.3	2830	1470	1630	520	630	1490
	80	62.4	58.6	55.3	50.0	36.7	2830	1470	1930	520	650	1520
	90	70.2	66.0	62.4	56.5	42.1	2830	1470	2230	520	690	1560
	100	78.0	72.8	68.4	61.5	47.3	3030	1670	2230	570	750	1790
	125	97.5	90.8	85.2	76.2	58.6	3230	1870	2230	570	860	2100
	140	109.0	102	100	94.4	69.0	3230	1870	2230	570	870	2110
	150	117.0	106	101	100	71.9	3230	1870	2630	570	930	2370
	160	124.8	120	116	103	78.7	3230	1870	2930	570	1010	2450
	175	136.0	124	114	101	79.4	3230	1870	2630	570	940	2380
	190	148.2	138	128	119	87.0	3230	1870	2930	570	1020	2460
	200	156.0	142	131	113	89.9	3430	2070	2630	700	1060	2740
	215	167.7	156	145	130	99.3	3430	2070	2930	700	1150	2830
	225	176.0	160	148	128	98.4	3630	2270	2630	700	1120	3030
	235	183.3	170	160	142	109.5	3630	2270	2930	700	1220	3130
	250	195.0	178	164	142	105.7	3630	2270	2630	700	1130	3040
	265	204.0	198	188	166	118.9	3630	2270	2930	700	1230	3140
	300	234.0	212	203	200	143.8	3230	3700	2630	570	1850	4730
	320	249.6	240	232	206	157.4	3230	3700	2930	570	2000	4880
	350	273.0	249	228	203	158.8	3230	3700	2630	570	1880	4760
	380	296.4	276	256	238	174.0	3230	3700	2930	570	2030	4910
	400	312.0	284	262	227	179.8	3430	4100	2630	700	2110	5470
	430	335.4	316	290	260	198.6	3430	4100	2930	700	2280	5640
	450	351.0	321	296	256	196.8	3630	4500	2630	700	2240	6060
	470	366.6	340	320	284	219.0	3630	4500	2930	700	2430	6250
	500	390.0	357	329	285	215.2	3630	4500	2630	700	2260	6080
	530	408.0	396	376	332	237.8	3630	4500	2930	700	2450	6270
	570	444.6	414	384	357	261.0	3230	5530	2930	570	3040	7360
	600	468.0	427	393	341	269.7	3430	6130	2630	700	3160	8200
	645	503.1	468	435	390	297.9	3430	6130	2930	700	3410	8450
	700	546.0	497	456	390	322.8	3630	6730	2630	700	3390	9120
	705	549.9	510	480	426	328.5	3630	6730	2930	700	3640	9370
	795	612.0	594	564	498	356.7	3630	6730	2930	700	3670	9400
	800	624.0	569	524	455	359.6	3430	8160	2630	700	4210	10930
	860	670.8	624	580	520	397.2	3430	8160	2930	700	4540	11260
	900	702.0	642	592	513	393.6	3630	8960	2630	700	4480	12120
	940	733.2	680	640	568	438.0	3630	8960	2930	700	4850	12490
	1000	780.0	714	658	570	422.9	3630	8960	2630	700	4520	12160
	1060	816.0	794	752	664	475.6	3630	8960	2930	700	4890	12530



High in efficiency, Compact in size

KUKEN AXIAL FLOW FAN					PIPING SIZE (mm)			SOUND LEVEL dB(A)				
Fan Diameter mm	Kw	Poles P	Current (50Hz/60Hz) A	No.	Water In/Out	Overflow Drain	Make-up (Auto, Manual)	Louver side		Panel side		Fan 45 ° D m (min:1.5m)
								2 m	10 m	2 m	10 m	
1200	1.5	4	6.6/6.2	1	100	50	15	61.0	54.0	58.0	52.0	68.0
1200	2.2	4	9.2/9.0	1	100	50	15	63.0	55.5	59.0	53.0	68.5
1200	2.2	4	9.2/9.0	1	100	50	15	63.0	55.5	59.0	53.0	68.5
1400	2.2	4	9.2/9.0	1	100	50	15	63.5	56.0	59.5	54.0	70.0
1600	3.7	4	14.6/14.2	1	125	50	15	65.0	57.0	61.0	54.5	70.5
1600	5.5	4	22.0/21.0	1	125	50	15	66.0	58.0	62.0	56.5	71.5
1600	3.7	4	14.6/14.2	1	125	50	20	65.0	57.0	61.0	54.5	70.5
1600	3.7	4	14.6/14.2	1	125	50	20	65.0	57.0	61.0	54.5	70.5
1600	5.5	4	22.0/21.0	1	125	50	20	66.0	58.0	62.0	55.5	71.5
1600	5.5	4	22.0/21.0	1	150	50	20	66.0	58.0	62.0	55.5	71.5
1800	5.5	4	22.0/21.0	1	150	50	20	66.0	58.0	62.0	55.5	72.0
1800	5.5	4	22.0/21.0	1	150	50	20	66.0	58.0	62.0	55.5	72.0
2000	5.5	4	22.0/21.0	1	150	50	20	66.0	58.0	62.0	56.0	72.0
2000	5.5	4	22.0/21.0	1	150	50	32	66.0	58.0	62.0	56.0	72.0
2000	7.5	4	29.0/28.0	1	150	50	32	67.0	59.0	62.5	56.5	73.0
2000	7.5	4	29.0/28.0	1	150	50	32	67.0	59.0	62.5	56.5	73.0
1600	3.7	4	14.6/14.2	2	125x2	50x2	32	67.5	60.0	62.5	56.5	72.5
1600	3.7	4	14.6/14.2	2	125x2	50x2	32	67.5	60.0	62.5	56.5	72.5
1600	5.5	4	22.0/21.0	2	125x2	50x2	32	68.5	61.0	63.5	57.5	73.5
1600	5.5	4	22.0/21.0	2	150x2	50x2	32	68.5	61.0	63.5	57.5	73.5
1800	5.5	4	22.0/21.0	2	150x2	50x2	32	68.5	61.0	63.5	57.5	74.0
1800	5.5	4	22.0/21.0	2	150x2	50x2	40	68.5	61.0	63.5	57.5	74.0
2000	5.5	4	22.0/21.0	2	150x2	50x2	40	68.5	61.0	63.5	58.0	74.0
2000	5.5	4	22.0/21.0	2	150x2	50x2	40	68.5	61.0	63.5	58.0	74.0
2000	7.5	4	29.0/28.0	2	150x2	50x2	32x2	69.5	62.0	64.0	58.5	75.0
2000	7.5	4	29.0/28.0	2	150x2	50x2	32x2	69.5	62.0	64.0	58.5	75.0
1600	5.5	4	22.0/21.0	3	150x3	50x3	32x2	70.0	62.0	64.0	59.0	75.0
1800	5.5	4	22.0/21.0	3	150x3	50x3	32x2	70.0	62.5	64.5	58.5	75.0
1800	5.5	4	22.0/21.0	3	150x3	50x3	32x2	70.0	62.5	64.5	58.5	75.0
2000	7.5	4	29.0/28.0	3	150x3	50x3	32x2	71.0	63.5	65.0	59.5	76.0
2000	5.5	4	22.0/21.0	3	150x3	50x3	32x2	70.0	62.5	64.5	59.0	75.0
2000	7.5	4	29.0/28.0	3	150x3	50x3	32x2	71.0	63.5	65.0	59.5	76.0
1800	5.5	4	22.0/21.0	4	150x4	50x4	32x2	70.5	63.0	65.0	59.0	75.5
1800	5.5	4	22.0/21.0	4	150x4	50x4	40x2	70.5	63.0	65.0	59.0	75.5
2000	5.5	4	22.0/21.0	4	150x4	50x4	40x2	70.5	63.0	65.0	59.5	75.5
2000	5.5	4	22.0/21.0	4	150x4	50x4	40x2	70.5	63.0	65.0	59.5	75.5
2000	7.5	4	29.0/28.0	4	150x4	50x4	32x3	71.5	64.0	65.5	60.0	76.5
2000	7.5	4	29.0/28.0	4	150x4	50x4	32x3	71.5	64.0	65.5	60.0	76.5

REMARKS

* 1: Rated current values indicated above are just for reference.

(Based on 1 unit of motor under 200V/50Hz or 200V/60Hz)

* 2: Piping size varies depending on circulating water flow rate and temperature.

EXTRA LOW NOISE TYPE

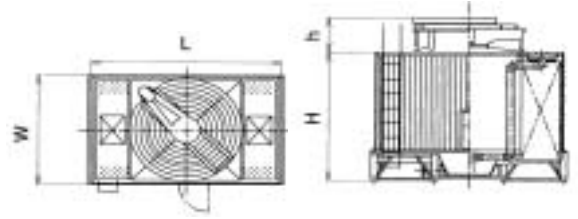
SKB-So /S

(So : External piping, S : Internal piping)

MODEL	FLOW RATE (m ³ /h)					DIMENSION (mm)				WEIGHT		
	IN()	37.0	37.5	38.0	39.0	35.0	length L	width W	height H	Fan height h	Net. kg	Ope. kg
	OUT()	32.0				29.5						
W.B()	27.0				27							
SKB- 60	46.8	43.7	41.1	37.0	20.3	2830	1470	1930	520	660	1510	
70	54.6	50.9	47.6	42.9	29.3	2830	1470	2230	520	680	1550	
80	62.4	58.2	54.6	49.0	36.7	2830	1470	2230	520	720	1590	
100	78.0	72.8	68.4	61.5	47.3	3030	1670	2230	570	750	1790	
125	97.5	90.8	85.2	76.2	58.6	3230	1870	2230	570	860	2100	
140	109.0	102	100	94.4	69.0	3230	1870	2230	570	870	2110	
150	117.0	106	101	100	71.9	3230	1870	2630	570	930	2370	
160	124.8	120	116	103	78.7	3230	1870	2930	570	1010	2450	
175	136.0	124	114	101	79.4	3230	1870	2630	570	940	2380	
190	148.2	138	128	119	87.0	3230	1870	2930	570	1020	2460	
200	156.0	142	131	113	89.9	3430	2070	2630	700	1060	2740	
215	167.7	156	145	130	99.3	3430	2070	2930	700	1150	2830	
225	176.0	160	148	128	98.4	3630	2270	2630	700	1120	3030	
235	183.3	170	160	142	109.5	3630	2270	2930	700	1220	3130	
250	195.0	178	164	142	105.7	3630	2270	2630	700	1130	3040	
265	204.0	198	188	166	118.9	3630	2270	2930	700	1230	3140	
300	234.0	212	203	200	143.8	3230	3700	2630	570	1850	4730	
320	249.6	240	232	206	157.4	3230	3700	2930	570	2000	4880	
350	273.0	249	228	203	158.8	3230	3700	2630	570	1880	4760	
380	296.4	276	256	238	174.0	3230	3700	2930	570	2030	4910	
400	312.0	284	262	227	179.8	3430	4100	2630	700	2110	5470	
430	335.4	316	290	260	198.6	3430	4100	2930	700	2280	5640	
450	351.0	321	296	256	196.8	3630	4500	2630	700	2240	6060	
470	366.6	340	320	284	219.0	3630	4500	2930	700	2430	6250	
500	390.0	357	329	285	215.2	3630	4500	2630	700	2260	6080	
530	408.0	396	376	332	237.8	3630	4500	2930	700	2450	6270	
570	444.6	414	384	357	261.0	3230	5530	2930	570	3040	7360	
600	468.0	427	393	341	269.7	3430	6130	2630	700	3160	8200	
645	503.1	468	435	390	297.9	3430	6130	2930	700	3410	8450	
700	546.0	497	456	390	322.8	3630	6730	2630	700	3390	9120	
705	549.9	510	480	426	328.5	3630	6730	2930	700	3640	9370	
795	612.0	594	564	498	356.7	3630	6730	2930	700	3670	9400	
800	624.0	569	524	455	359.6	3430	8160	2630	700	4210	10930	
860	670.8	624	580	520	397.2	3430	8160	2930	700	4540	11260	
900	702.0	642	592	513	393.6	3630	8960	2630	700	4480	12120	
940	733.2	680	640	568	438.0	3630	8960	2930	700	4850	12490	
1000	780.0	714	658	570	422.9	3630	8960	2630	700	4520	12160	
1060	816.0	794	752	664	475.6	3630	8960	2930	700	4890	12530	

**Most suitable for the environment
in need of super-quiet equipment.**

By adopting newly-developed super silent fan blade,
sound level has been decreased by 5dB(A).



KUKEN AXIAL FLOW FAN					PIPING SIZE (mm)			SOUND LEVEL dB(A)				
Fan Diameter mm	Kw	Poles P	Current (50Hz/60Hz) A	No.	Water In/Out	Overflow Drain	Make-up (Auto, Manual)	Louver side		Panel side		Fan 45 ° D m (min:1.5m)
								2 m	10 m	2 m	10 m	
1200	1.5	6	6.6/6.2	1	100	50	15	56.0	49.0	52.5	45.5	62.5
1200	1.5	6	6.6/6.2	1	100	50	15	57.0	50.0	53.5	47.5	63.5
1200	2.2	6	10.4/10.0	1	100	50	15	57.5	51.0	54.0	48.5	64.0
1400	2.2	4	9.2/9.0	1	100	50	15	58.5	52.0	55.0	49.5	65.0
1600	3.7	4	14.6/14.2	1	125	50	15	60.5	52.5	56.0	50.5	66.5
1600	5.5	4	22.0/21.0	1	125	50	15	61.0	53.0	56.5	51.0	67.0
1600	3.7	4	14.6/14.2	1	125	50	20	60.5	52.5	56.0	50.5	66.5
1600	3.7	4	14.6/14.2	1	125	50	20	60.5	52.5	56.0	50.5	66.5
1600	5.5	4	22.0/21.0	1	125	50	20	61.0	53.0	56.5	51.0	67.0
1600	5.5	4	22.0/21.0	1	150	50	20	61.0	53.0	56.5	51.0	67.0
1800	5.5	4	22.0/21.0	1	150	50	20	61.5	53.0	57.0	51.5	68.0
1800	5.5	4	22.0/21.0	1	150	50	20	61.5	53.0	57.0	51.5	68.0
2000	5.5	4	22.0/21.0	1	150	50	20	62.0	54.0	57.5	52.0	68.5
2000	5.5	4	22.0/21.0	1	150	50	32	62.0	54.0	57.5	52.0	68.5
2000	7.5	4	29.0/28.0	1	150	50	32	62.5	54.5	58.0	52.0	69.0
2000	7.5	4	29.0/28.0	1	150	50	32	62.5	54.5	58.0	52.0	69.0
1600	3.7	4	14.6/14.2	2	125x2	50x2	32	63.0	55.5	57.5	52.5	68.5
1600	3.7	4	14.6/14.2	2	125x2	50x2	32	63.0	55.5	57.5	52.5	68.5
1600	5.5	4	22.0/21.0	2	125x2	50x2	32	63.5	56.0	58.0	53.0	69.0
1600	5.5	4	22.0/21.0	2	150x2	50x2	32	63.5	56.0	58.0	53.0	69.0
1800	5.5	4	22.0/21.0	2	150x2	50x2	32	64.0	56.0	58.5	53.5	70.0
1800	5.5	4	22.0/21.0	2	150x2	50x2	40	64.0	56.0	58.5	53.5	70.0
2000	5.5	4	22.0/21.0	2	150x2	50x2	40	64.5	57.0	59.0	54.0	70.5
2000	5.5	4	22.0/21.0	2	150x2	50x2	40	64.5	57.0	59.0	54.0	70.5
2000	7.5	4	29.0/28.0	2	150x2	50x2	32x2	65.0	57.5	59.5	54.0	71.0
2000	7.5	4	29.0/28.0	2	150x2	50x2	32x2	65.0	57.5	59.5	54.0	71.0
1600	5.5	4	22.0/21.0	3	150x3	50x3	32x2	65.0	57.0	59.0	54.0	70.0
1800	5.5	4	22.0/21.0	3	150x3	50x3	32x2	65.5	57.5	59.5	54.5	71.0
1800	5.5	4	22.0/21.0	3	150x3	50x3	32x2	65.5	57.5	59.5	54.5	71.0
2000	7.5	4	29.0/28.0	3	150x3	50x3	32x2	66.5	59.0	60.5	55.0	72.0
2000	5.5	4	22.0/21.0	3	150x3	50x3	32x2	66.0	58.0	60.0	55.0	71.5
2000	7.5	4	29.0/28.0	3	150x3	50x3	32x2	66.5	59.0	60.5	55.0	72.0
1800	5.5	4	22.0/21.0	4	150x4	50x4	32x2	66.0	58.0	60.0	55.0	71.5
1800	5.5	4	22.0/21.0	4	150x4	50x4	40x2	66.0	58.0	60.0	55.0	71.5
2000	5.5	4	22.0/21.0	4	150x4	50x4	40x2	66.5	59.0	60.5	55.5	72.0
2000	5.5	4	22.0/21.0	4	150x4	50x4	40x2	66.5	59.0	60.5	55.5	72.0
2000	7.5	4	29.0/28.0	4	150x4	50x4	32x3	67.0	59.5	61.0	55.5	72.5
2000	7.5	4	29.0/28.0	4	150x4	50x4	32x3	67.0	59.5	61.0	55.5	72.5

REMARKS

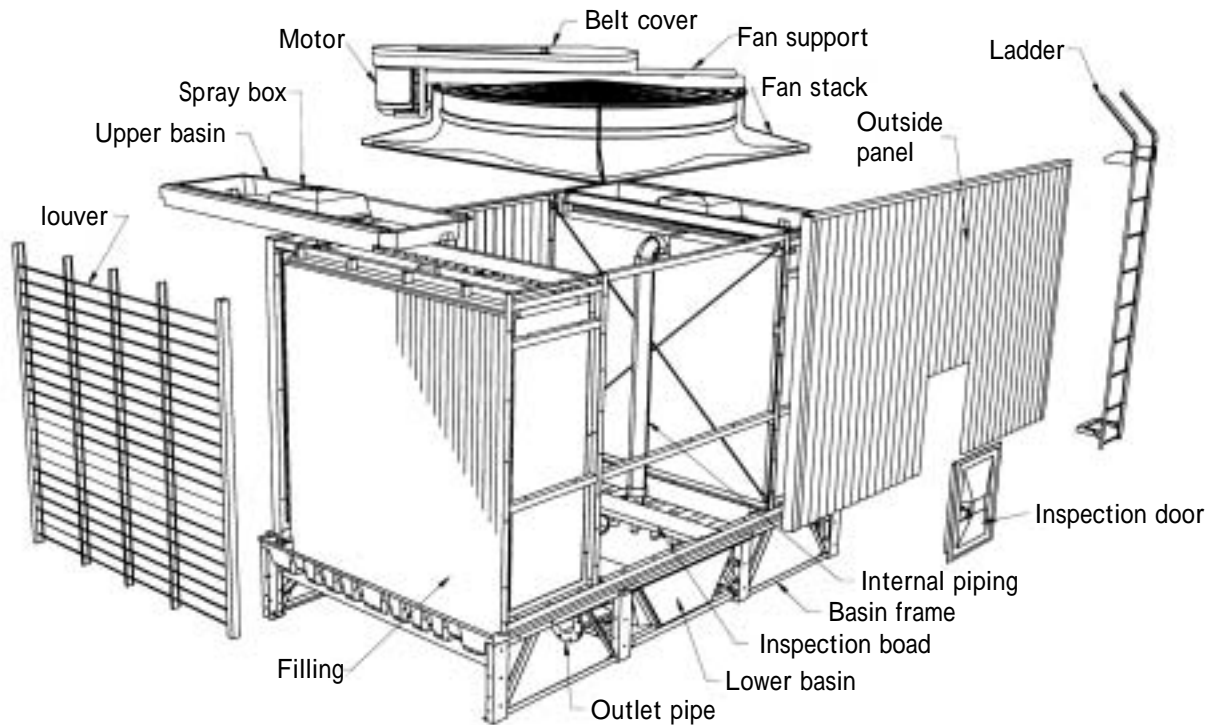
* 1: Rated current values indicated above are just for reference.

(Based on 1 unit of motor under 200V/50Hz or 200V/60Hz)

* 2: Piping size varies depending on circulating water flow rate and temperature.

Structure of SKB <Open> type Cooling Tower

(Structure of internal piping model)



Almost all parts, such as filling, fan blade, fan hub, upper basin, lower basin, basin frame, and framework, have been specially designed for Kuken new series cooling tower.

Filling : Filling has been modified to secure higher L/A value (water load per area) and heat-exchange efficiency. Consequently, tower width has been greatly diminished and potentiality of every single cell-unit has been higher in terms of capacity. (Conventional filling could be adopted for some towers depending on design condition.)

Fan unit : Specification of newly-developed fan blade (KS wing) ensures great noise-reduction effect.

Lower basin : Adoption of the complete "One-piece basin" eliminates overlaying work at site, and time spent for tower erection is minimized. Basin bottom is designed to have slope towards the center for the purpose of cleaning.

Internal of body : Wide inspection board and the location of internal pipe ensures easier maintenance.

Framework : By adopting steel, tower body strength has been increased. Also, galvanizing has been richer in property.

FAX Form for Inquiry

For inquiry, kindly fill out this form and fax to the agents.

Your company name

Job site name

Person in charge

Tel No.

Fax No.

Inquiry Contents (Order, Quotation, Specification details, Delivery, Others)

Information required.

- | | | |
|----|---------------------------|--|
| 1 | Type of cooling tower | (Open type : Closed type) |
| 2 | Cold water flow rate | (l/min : m ³ /h) |
| 3 | Application | (Chiller <Turbo, Absorption> : Power Generator : Others) |
| 4 | Inlet water temp. | (37 : 37.5 : 37.7 : 38 : Others /°F) |
| 5 | Outlet water temp. | (32 : 32.5 : Others /°F) |
| 6 | Ambient wet bulb temp. | (27 : 27.5 : Others /°F) |
| 7 | Power supply | (200V : 220V : 380V : 400V : 415V : 440V : Others)
(50Hz : 60Hz : Inverter utilized : Others) |
| 8 | Sound level | (Low noise type : Extra low noise type : others) |
| 9 | Plume Abatement | Not required / Required |
| 10 | Model | (R : S) |
| 11 | Space for Cooling Tower | (L or less : W or less : H or less)
Plain / cross-sectional view drawings for the space is appreciated. |
| 12 | Material of outside panel | (PVC : FRP : SUS304 : Asbesto cement : Others) |
| 13 | Framework | (HDGS : SUS304 : Others) |
| 14 | Vibration Isolator | Not required / Required |
| 15 | Duct | Not required / Required (1m : 2m : 3m : Others) |
| 16 | Elbow duct | Not required / Required (45 degree : 90 degree : Others) |
| 17 | Handrail | Not required / Required |
| 18 | Ladder with cage | Not required / Required |
| 19 | Upper basin cover | Not required / Required |
| 20 | Chemical feeder | Not required / Required |
| 21 | Auto-blow device | Not required / Required |
| 22 | Heater | Not required / Required |
| 23 | Special request | |

Optional Parts

Variety of optional parts are available for Kuken Cooling Tower.
Consult with KUKEN sales-agents for more detail.



For Safety

Handrail, Ladder with cage,
Upper basin cover, staircase, etc..

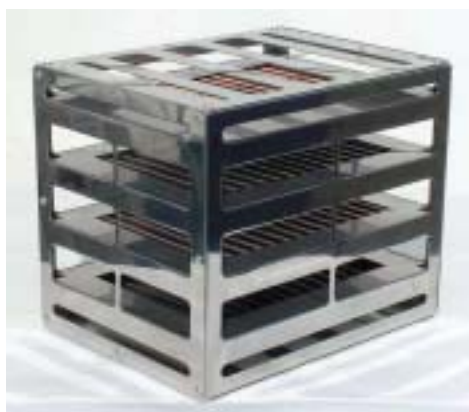


For Discharge Air, Silencer

Duct, Elbow duct, Silencer,
Bird-proof net, Snow-proof parts, etc..



Vibration Isolator



Water activator

*Specification subject to change without notice.

KUKEN KOGYO CO., LTD.

2-39 OHORI-KOEN, CHUO-KU
FUKUOKA, 810-0051 JAPAN
TEL : +81-(92)-741-5361
FAX : +81-(92)-715-0891
URL : <http://www.kuken.com/>
E-mail : export@kukenkogyo.co.jp

AGENT